

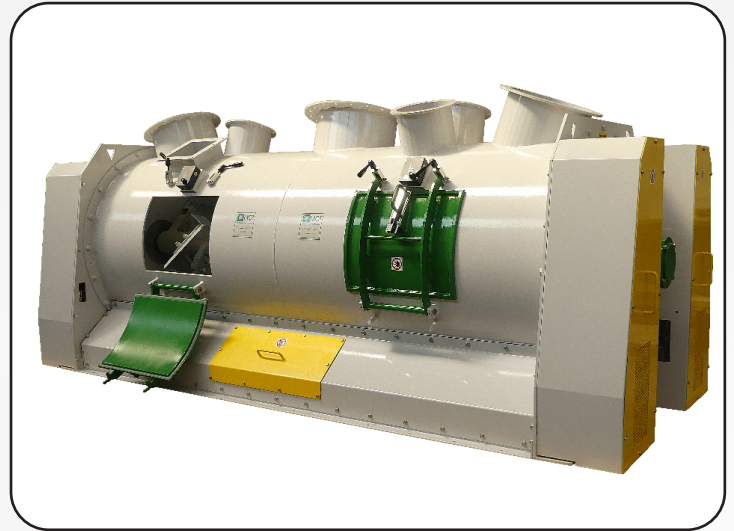
KB BATCH MIXERS



KB Batch Mixers



central discharge mixers



total 60° bomb-door mixers

KB ploughshare batch mixers represent the ideal solution for the user, both in terms of product quality and money saving. Available with a central discharge or a total 60° bomb-bay discharge, they can be included without difficulty in any production plant. Thanks to their short mixing time, top quality performance in terms of particle distribution (up to 1:1,000,000) and batch repeatability, guaranteed cycle after cycle, these units provide the ideal solution when it comes to flexibility, reliability, performance and return on investment.

All KB mixers are available in painted mild steel, stainless steel (304 and 316) and wear-resistant steel. For special applications, different types of drum liners and mixing tool coatings are available on demand.

A wide range of accessories provides the user with the ideal mixer configuration (side refiners, liquid injection systems, temperature jackets and probes, pneumatic sampling devices, special seals for fine and abrasive materials, multiple inlets and outlets). If and when necessary, tailor-made technical solutions can be engineered, designed and manufactured to meet even the most challenging needs.

KB mixers : the ultimate mixing solution

Benefits



shortest
mixing time



batch
repeatability



excellent particle
distribution



maximum
saving

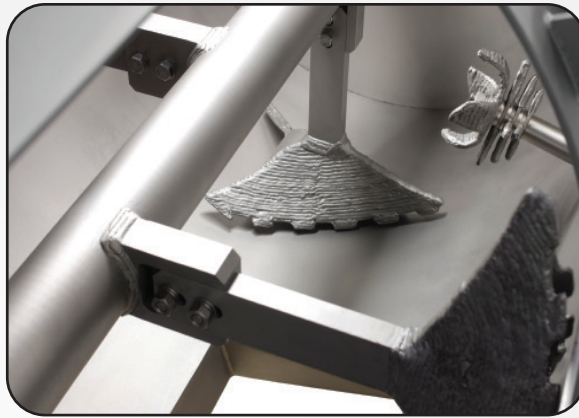


scale-up
guaranteed

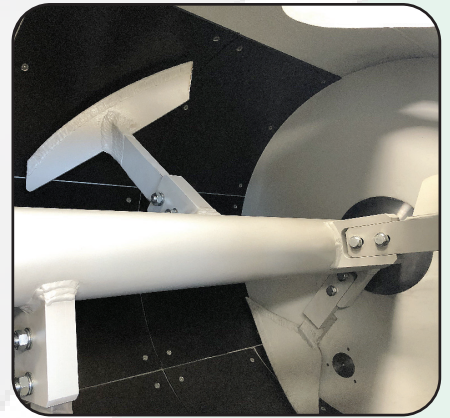
Tools & Accessories



high speed refiners



plough-type tools



internal bolted liner

Industries



food & animal feed



building & construction



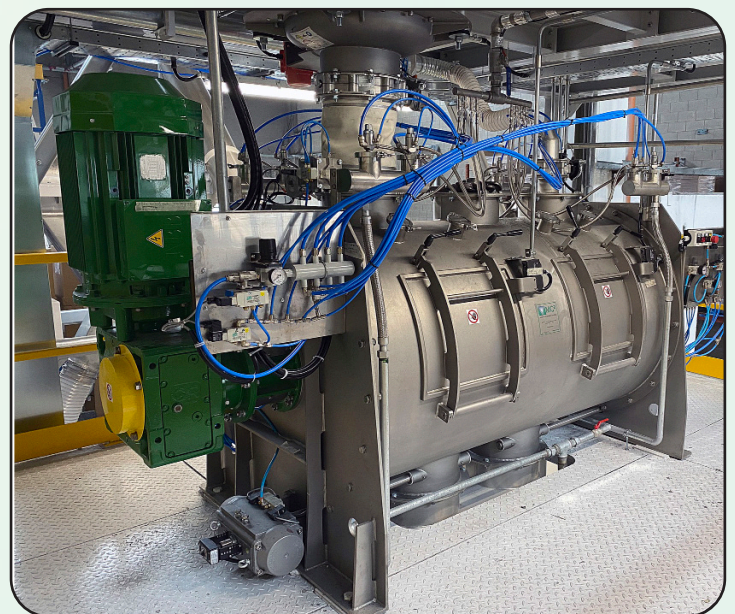
chemicals & pharma



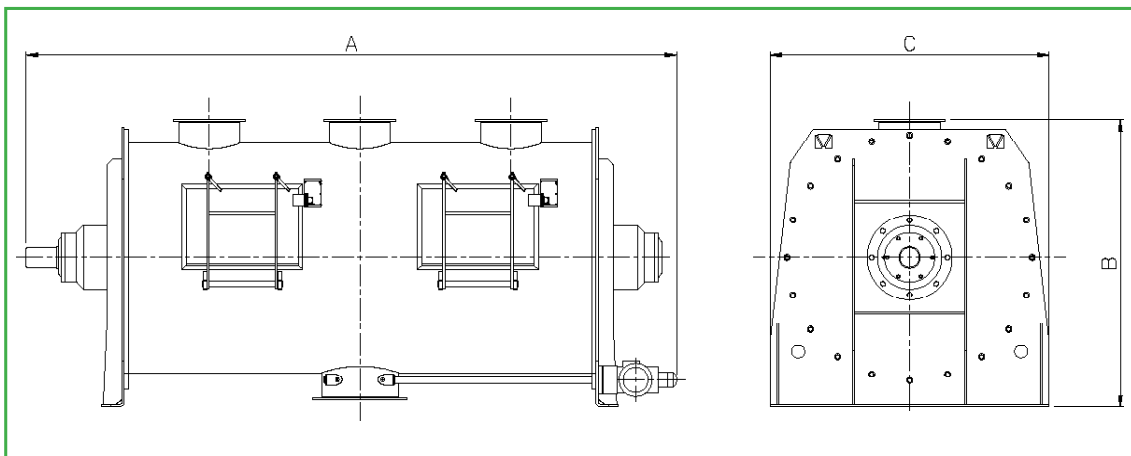
ecology & biogas



KBT mixer for premixed building materials



KBC mixer for the tyre industry



| Mixer Model | Min. Working Vol (cf) | Max. Working Vol. (cf) | A (in) | B (in) | C (in) | Installed Power (HP) |
|-------------|-----------------------|------------------------|--------|--------|--------|----------------------|
| KB 55 | 0.64 | 1.94 | 42 | 22 | 24 | 1.0 ÷ 4.0 |
| KB 100 | 1.27 | 3.78 | 53 | 28 | 29 | 1.5 ÷ 10.0 |
| KB 250 | 2.83 | 8.52 | 61 | 32 | 33 | 3.0 ÷ 15.0 |
| KB 400 | 5.97 | 17.90 | 75 | 41 | 43 | 5.5 ÷ 20.0 |
| KB 600 | 7.91 | 23.78 | 92 | 41 | 43 | 7.5 ÷ 25.0 |
| KB 750 | 9.68 | 29.05 | 90 | 46 | 48 | 15.0 ÷ 40.0 |
| KB 1000 | 14.80 | 44.36 | 97 | 54 | 57 | 20.0 ÷ 50.0 |
| KB 1300 | 17.41 | 52.19 | 106 | 54 | 57 | 25.0 ÷ 60.0 |
| KB 1700 | 21.75 | 65.24 | 126 | 54 | 57 | 30.0 ÷ 75.0 |
| KB 2000 | 26.10 | 78.28 | 145 | 54 | 57 | 30.0 ÷ 100.0 |
| KB 2500 | 30.97 | 92.89 | 146 | 59 | 61 | 40.0 ÷ 100.0 |
| KB 3300 | 42.55 | 127.61 | 148 | 71 | 74 | 55.0 ÷ 120.0 |
| KB 3700 | 45.38 | 136.12 | 156 | 71 | 74 | 60.0 ÷ 150.0 |
| KB 4200 | 53.18 | 159.52 | 178 | 71 | 74 | 75.0 ÷ 180.0 |
| KB 5500 | 69.25 | 207.72 | 196 | 77 | 80 | 100.0 ÷ 180.0 |
| KB 8000 | 129.50 | 323.71 | 226 | 83 | 85 | 120.0 ÷ 215.0 |
| KB 10000 | 151.78 | 379.44 | 235 | 87 | 89 | 150.0 ÷ 335.0 |



MC² Srl
 via S. Domenico, 7
 40124 Bologna (BO) Italy
 T. +39 059 8723725

E. info@mc2-srl.com
 W. www.mc2-srl.com



MC2 KB06 US NOV 2022