

RB RIBBON BLENDERS



RB Ribbon Blenders



304SS vacuum ribbon blender



complete 316SS mixing station

RB double flight ribbon blenders provide a gentle, delicate mixing action. They are manufactured with a central or total bomb-door discharge, making them suitable for any type of plant layout. Thanks to the mixing action of the four flights that convey materials from the end plates to the centre of the trough and viceversa, high quality blending is achieved, while guaranteeing the integrity of all ingredients, even the most fragile. For this reason, this technology is particularly suited to mixing light, delicate and fragile materials (such as flour, cereals, pharmaceutical and infant food ingredients).

All blenders in the RB range can be manufactured in mild steel or stainless steel (304 and 316). Depending on the application, customers can choose from a wide selection of accessories: temperature jackets to heat or cool materials during blending operations, mixing drum insulation, bolted or hinged safety grids, thermocouples, customized discharge spouts, different liquid injection systems, and many more. Moreover, in line with its policy and philosophy, MC² is always available to evaluate, engineer, design and manufacture specific customized solutions to satisfy even the most demanding needs.

RB blenders: the ultimate mixing solution!

Benefits



delicate mixing



batch repeatability



excellent particle distribution



low power consumption



guaranteed scale-up

Tools & Accessories



double ribbon flight



hinged lid with safety grid



ribbon blender with screw

Industries



food



animal feed



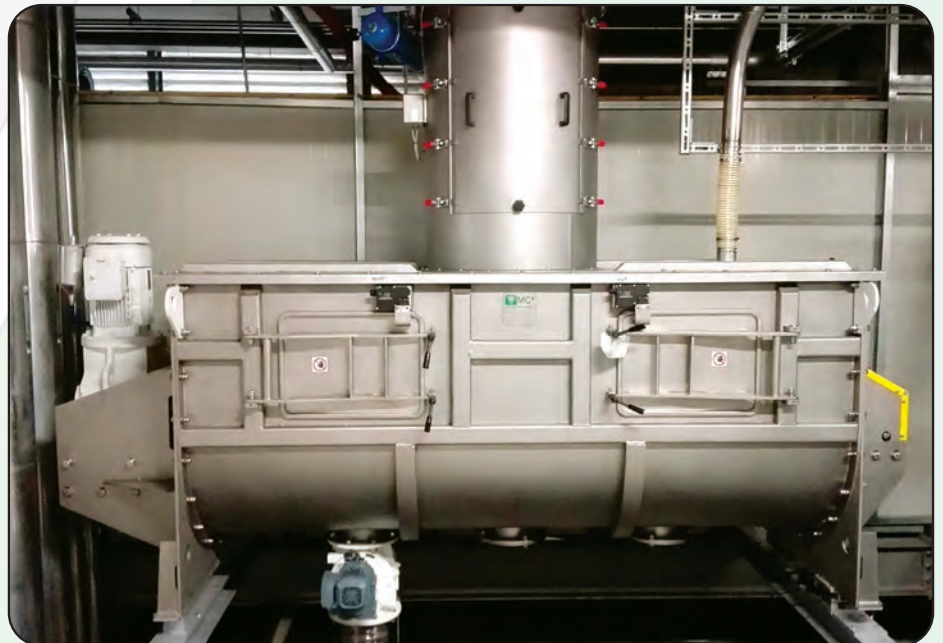
chemicals & pharma



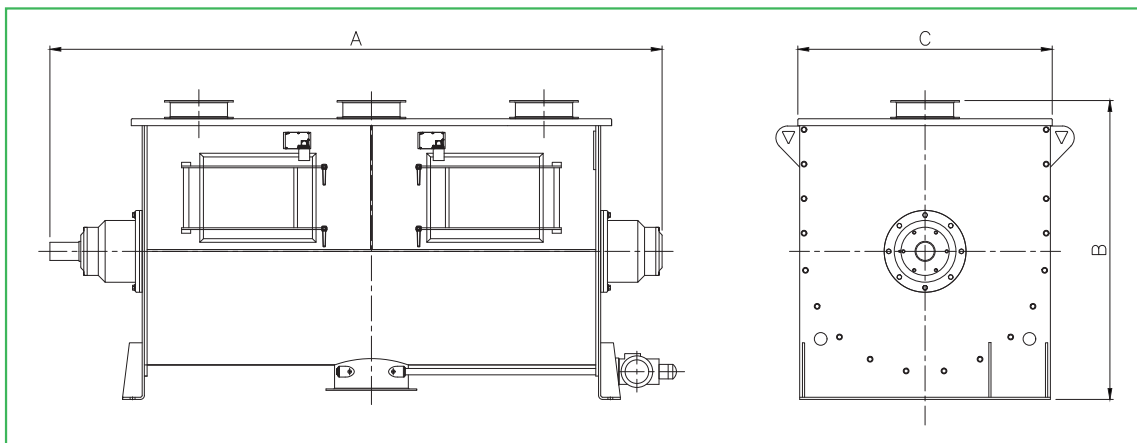
plastics



ribbon blender for wine additives



ribbon blender for flour



Mixer Model	Min. Useful Vol. (cf)	Max. Useful Vol. (cf)	A (in)	B (in)	C (in)	Installed Power (HP)
RB 100	2.0	4.7	57	30	23	1.0 ÷ 2.0
RB 150	3.5	8.2	62	35	27	1.5 ÷ 3.0
RB 250	5.6	13.1	72	38	31	2.0 ÷ 4.0
RB 400	8.1	19.9	85	42	35	3.0 ÷ 5.5
RB 600	12.0	27.9	93	45	40	4.0 ÷ 7.5
RB 800	16.4	38.2	106	50	44	5.5 ÷ 15.0
RB 1000	21.8	50.9	116	55	48	7.5 ÷ 15.0
RB 1300	28.4	66.2	127	60	53	10.0 ÷ 20.0
RB 1500	32.1	74.8	132	63	55	10.0 ÷ 20.0
RB 1700	36.1	84.2	138	65	57	15.0 ÷ 25.0
RB 2100	45.1	105.3	148	70	61	15.0 ÷ 30.0
RB 2500	55.4	129.3	159	75	66	20.0 ÷ 40.0
RB 3200	67.3	157.0	169	80	70	25.0 ÷ 50.0
RB 3800	80.8	188.4	180	85	75	30.0 ÷ 60.0
RB 4500	95.9	223.8	191	90	75	40.0 ÷ 60.0
RB 7000	128.4	385.3	222	105	92	50.0 ÷ 100.0



MC² Srl
 via S. Domenico, 7
 40124 Bologna - Italy
 T. +39 059 8723725

E. info@mc2-srl.com
 W. www.mc2-srl.com

